



Saves Your Energy

Pingvin



enervent[®]

A suitable ventilation solution is selected in line with the target and the preferences of the inhabitants, which thus also determine the model to be installed. All Enervent ventilation units are ready to be installed. Many of the steps in the installation do require special tools and expertise, so Ensto recommends leaving the installation work to an HVAC specialist.

GENERAL TECHNICAL INFORMATION	PINGVIN
Maximum air-flow amount with duct pressure of 125 Pa	+87/-95 l/s
Apartment volume (basic ventilation)	0-526 m ³
Fans (supply and extract air)	119 W
Duct size	Ø 160 mm
Weight	50 kg
Standard filters	F5/F5
Alternative filters	F7/F5
Overheating protector	yes
Sound level in supply air duct at fan speeds 20, 40, 60, 80 and 100 %	
LWA, dB(A)	29, 35, 43, 49, 51
LPA, dB(A), 10 m ² : sound absorption	25, 31, 39, 48, 47

GENERAL TECHNICAL INFORMATION	PINGVIN
E models	
Standard electric after heater efficiency	400 W
Alternative electric after heater efficiency	800 W
Voltage	230 V~/50 Hz
Fuse	10 A fast
Positioning of a cooling (CG) coil	in duct
W models	
Positioning of a water-circulating after heater	in duct
35/25 °C heater efficiency	1.5 kW*
30/20 °C heater efficiency	1.3 kW
60/40 °C heater efficiency	2.0 kW
Voltage	230 V~/50 Hz
Fuse	10 A fast
Pipe connection	10 mm
Solution flow	0.04 l/s
Water-side pressure loss	10.3 kPa
Kvs value of the valve	0.63
Valve connection DN	15
Duct heater measurements (WxHxL), mm	313x255x356
Positioning of a cooling (CG) coil	in duct
CG models	
Total output	0.9 kW
Pipe connection	22 mm
Solution flow	0.05 l/s
Water-side pressure loss	5.7 kPa
Kvs value of the valve	1.6
Valve connection DN	15
Duct cooler measurements (WxHxL), mm	411x330x356

* Heater included in the standard delivery.

Control systems



ECC



EDA



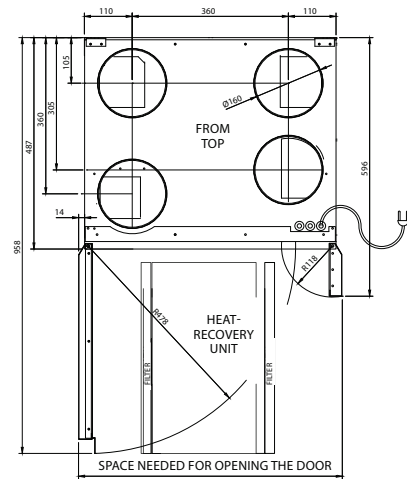
eAir



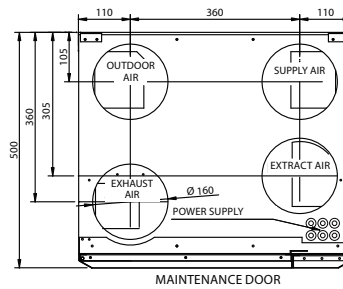
Saves Your Energy

Ensto Enervent Oy
Kipinätie 1
06150 PORVOO
enervent@ensto.com
www.enervent.fi

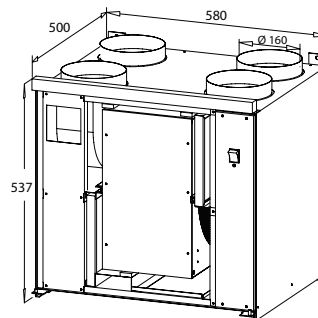
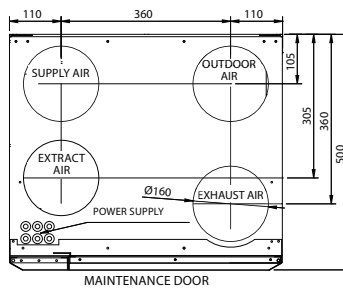
Dimensional drawings



RIGHT-HANDED



LEFT-HANDED



Characteristic curve

The characteristic curve for Pingvin eco supply and extract air fans with F5/F5 filters

